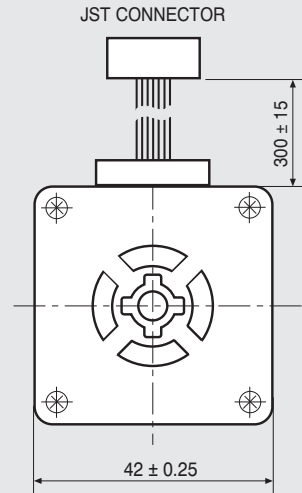
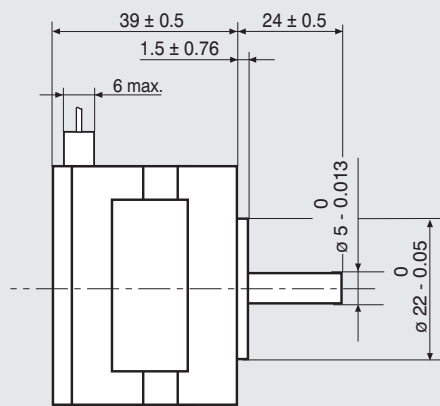
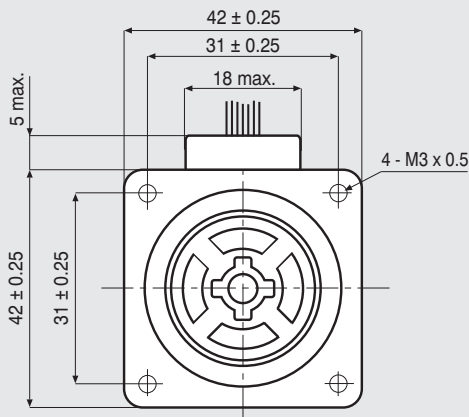


## Dimensions (Unit:mm)

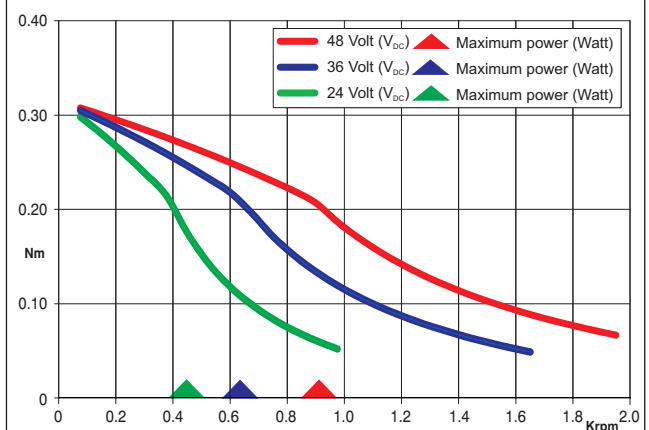


MOTOR CONNECTOR IS JST mod. EHR-6A  
6 POLES FEMALE.  
FOR CONNECTION USE JST  
mod. B6B-EH-A MALE CONNECTOR.

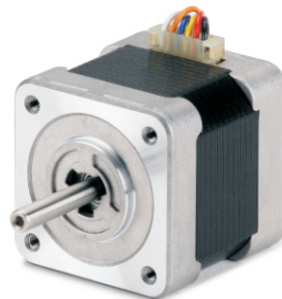
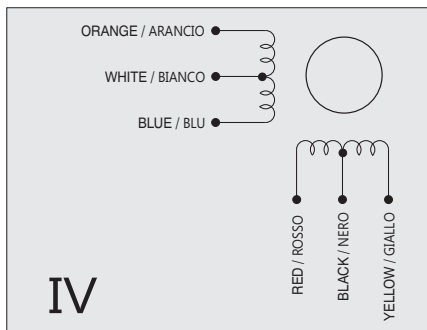
## FEATURES

MODEL	103-H5208-0483	
BASIC STEP ANGLE	1.8° ± 0.09°	
BIPOLAR CURRENT	(Amp)	0.9 <sup>(*)</sup>
UNIPOLAR CURRENT	(Amp)	1.2
RESISTANCE	(Ohm)	2.9
INDUCTANCE	(mH)	3.4
BIPOLAR HOLDING TORQUE	(Ncm)	42
UNIPOLAR HOLDING TORQUE	(Ncm)	30
ROTOR INERTIA	(Kg <sup>m</sup> 2 x 10 <sup>-7</sup> )	56
THEORETICAL ACCELERATION	(rad x sec. <sup>-2</sup> )	71000
BACK E.M.F.	(V/Krpm)	19
MASS	(Kg)	0.27
LEADS CODE	IV	

## TORQUE/SPEED CURVE



<sup>(\*)</sup> Bipolar series connection.  
<sup>(\*)</sup> Collegamento bipolare serie.



R.T.A. s.r.l. PAVIA (ITALY) SANYO DENKI CO., Ltd (JAPAN)

EMC - 10 - 14

Suggested R.T.A. driver: BSD Series, CSD/A-CSD Series, NDC/A-NDC Series, HGD Series.



R.T.A. s.r.l.  
Via E. Mattei - Fraz. Divisa  
27020 MARCIGNAGO (PV) ITALY  
Tel. +39.0382.929.855 - Fax +39.0382.929.150  
www.rta.it

R.T.A. Deutschland GmbH  
Bublitzer Straße 34  
40599 DÜSSELDORF (Germany)  
Tel. +49.211.749.668.60 - Fax +49.211.749.668.66  
www.rta-deutschland.de

R.T.A. IBERICA-Motion Control Systems S.L.  
C/Generalitat 22, 1° 3°  
08850 GAVA - BARCELONA (Spain)  
Tel. +34.936.388.805 - Fax +34.936.334.595  
www.rta-iberica.es