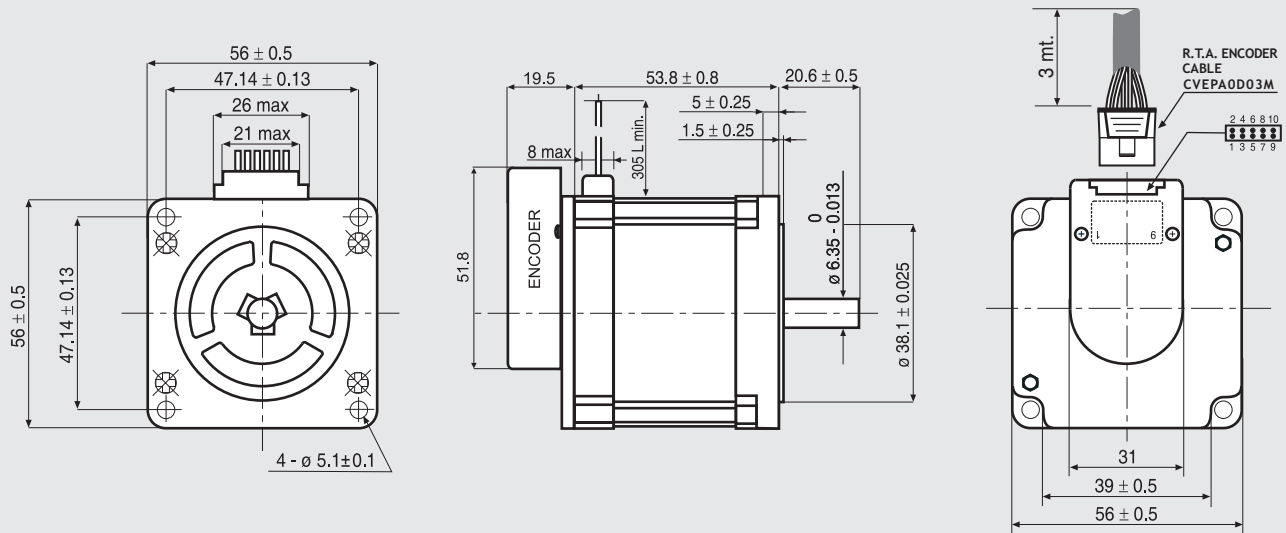


EM 2H1M-04D0

Dimensions (Unit:mm)



SANYO DENKI MOTOR FEATURES

MODEL	EM 2H1M-04D0	
SANYO DENKI MOTOR CODE	103-H7123-1711	
BASIC STEP ANGLE	1.8° ± 0.09°	
BIPOLAR PARALLEL CURRENT	(Amp)	4.0
RESISTANCE	(Ohm)	0.41
INDUCTANCE	(mH)	1.6
BIPOLAR HOLDING TORQUE	(Ncm)	110
ROTOR INERTIA	(Kg ^m × 10 ⁻⁷)	210
THEORETICAL ACCELERATION	(rad × sec. ⁻²)	50000
BACK E.M.F.	(V/Krpm)	20
MASS	(Kg)	0.65
LEADS CODE	V	

R.T.A. - s.r.l. PAVIA (ITALY) SANYO DENKI CO., Ltd (JAPAN)

ENCODER FEATURES

POWER SUPPLY VOLTAGE	(Volt)	5 V _{DC} ± 5%
CURRENT CONSUMPTION	(mAmp)	50
HIGH LEVEL OUTPUT	(Volt)	3.5 (TIP) - 2.4 (MIN) (I _{MAX} =10 mA)
LOW LEVEL OUTPUT	(Volt)	0.2 (TIP) - 0.4 (MAX) (I _{MAX} =10 mA)
OUTPUT SIGNAL	Differential (SINGLE ENDED version available)	
RESOLUTION	400 cycles per revolution (500 & 1000 CPR version available)	
MAXIMUM FREQUENCY	(KHz)	100
INDEX VERSION	Available upon request	
ENCODER NEEDS CVEPA0D03M R.T.A. CABLE. CONTACT R.T.A. FOR FURTHER DETAILS.		

		ENCODER PIN-OUTS			
		PIN	DESCRIPTION	PIN	DESCRIPTION
		1	NO CONNECTION	6	CHANNEL A+
		2	+ DC (5 V)	7	CHANNEL B-
		3	GROUND	8	CHANNEL B+
		4	NO CONNECTION	9	NO CONNECTION
		5	CHANNEL A-	10	NO CONNECTION

EMC - 10 - 14



R.T.A. s.r.l.
Via E. Mattei - Fraz. Divisa
27020 MARCIGNAGO (PV) ITALY
Tel. +39.0382.929.855 - Fax +39.0382.929.150
www.rta.it

R.T.A. Deutschland GmbH
Bublitzer Straße 34
40599 DÜSSELDORF (Germany)
Tel. +49.211.749.668.60 - Fax +49.211.749.668.66
www.rta-deutschland.de

R.T.A. IBERICA-Motion Control Systems S.L.
C/Generalitat 22, 1° 3°
08850 GAVA - BARCELONA (Spain)
Tel. +34.936.388.805 - Fax +34.936.334.595
www.rta-iberica.es