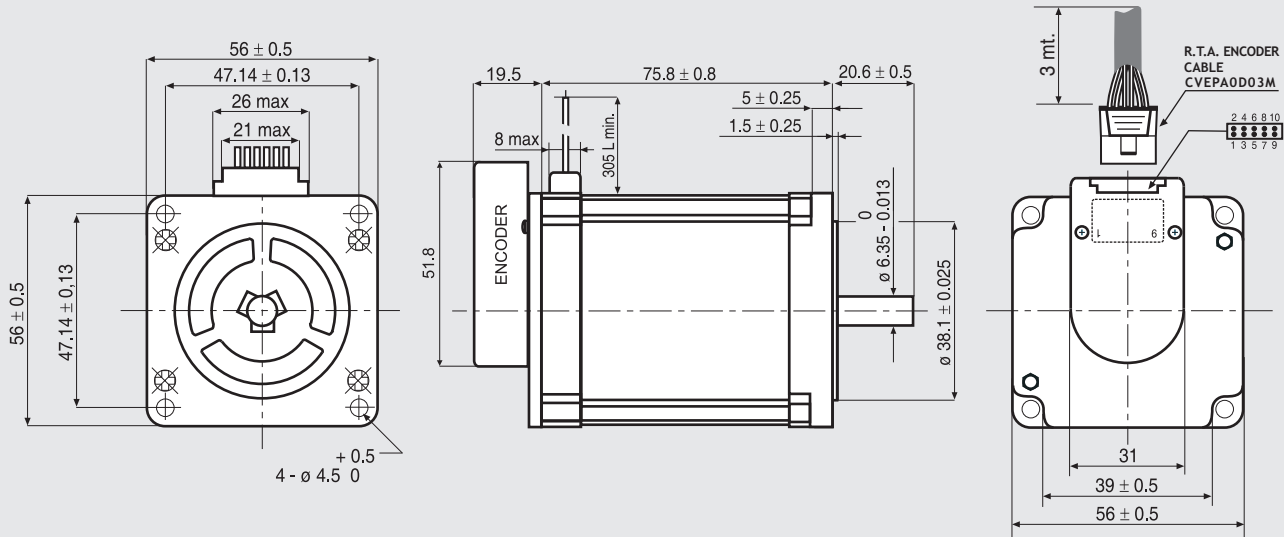


EM 2H2M-04D0

Dimensions (Unit:mm)



SANYO DENKI MOTOR FEATURES

MODEL	EM 2H2M-04D0	
SANYO DENKI MOTOR CODE	103-H7126-1710	
BASIC STEP ANGLE	1.8° ± 0.09°	
BIPOLAR PARALLEL CURRENT	(Amp)	4.0
RESISTANCE	(Ohm)	0.48
INDUCTANCE	(mH)	2.2
BIPOLAR HOLDING TORQUE	(Ncm)	165
ROTOR INERTIA	(Kg ^m × 10 ⁻⁷)	360
THEORETICAL ACCELERATION	(rad × sec. ⁻²)	45800
BACK E.M.F.	(V/Krpm)	31
MASS	(Kg)	1.0
LEADS CODE	V	

R.T.A. - s.r.l. PAVIA (ITALY) SANYO DENKI CO., Ltd (JAPAN)

ENCODER FEATURES

POWER SUPPLY VOLTAGE	(Volt)	5 V _{DC} ± 5%
CURRENT CONSUMPTION	(mAmp)	50
HIGH LEVEL OUTPUT	(Volt)	3.5 (TIP) - 2.4 (MIN) (I _{MAX} =10 mA)
LOW LEVEL OUTPUT	(Volt)	0.2 (TIP) - 0.4 (MAX) (I _{MAX} =10 mA)
OUTPUT SIGNAL	Differential (SINGLE ENDED version available)	
RESOLUTION	400 cycles per revolution (500 & 1000 CPR version available)	
MAXIMUM FREQUENCY	(KHz)	100
INDEX VERSION	Available upon request	

ENCODER NEEDS CVEPA0D03M R.T.A. CABLE. CONTACT R.T.A. FOR FURTHER DETAILS.

ENCODER PIN-OUTS																									
	<table border="1"> <thead> <tr> <th>PIN</th> <th>DESCRIPTION</th> </tr> </thead> <tbody> <tr> <td>1</td> <td>NO CONNECTION</td> </tr> <tr> <td>2</td> <td>+ DC (5 V)</td> </tr> <tr> <td>3</td> <td>GROUND</td> </tr> <tr> <td>4</td> <td>NO CONNECTION</td> </tr> <tr> <td>5</td> <td>CHANNEL A-</td> </tr> </tbody> </table> <table border="1"> <thead> <tr> <th>PIN</th> <th>DESCRIPTION</th> </tr> </thead> <tbody> <tr> <td>6</td> <td>CHANNEL A+</td> </tr> <tr> <td>7</td> <td>CHANNEL B-</td> </tr> <tr> <td>8</td> <td>CHANNEL B+</td> </tr> <tr> <td>9</td> <td>NO CONNECTION</td> </tr> <tr> <td>10</td> <td>NO CONNECTION</td> </tr> </tbody> </table>	PIN	DESCRIPTION	1	NO CONNECTION	2	+ DC (5 V)	3	GROUND	4	NO CONNECTION	5	CHANNEL A-	PIN	DESCRIPTION	6	CHANNEL A+	7	CHANNEL B-	8	CHANNEL B+	9	NO CONNECTION	10	NO CONNECTION
PIN	DESCRIPTION																								
1	NO CONNECTION																								
2	+ DC (5 V)																								
3	GROUND																								
4	NO CONNECTION																								
5	CHANNEL A-																								
PIN	DESCRIPTION																								
6	CHANNEL A+																								
7	CHANNEL B-																								
8	CHANNEL B+																								
9	NO CONNECTION																								
10	NO CONNECTION																								

EMC - 10 - 14



R.T.A. s.r.l.
Via E. Mattei - Fraz. Divisa
27020 MARCIGNAGO (PV) ITALY
Tel. +39.0382.929.855 - Fax +39.0382.929.150
www.rta.it

R.T.A. Deutschland GmbH
Bublitzer Straße 34
40599 DÜSSELDORF (Germany)
Tel. +49.211.749.668.60 - Fax +49.211.749.668.66
www.rta-deutschland.de

R.T.A. IBERICA-Motion Control Systems S.L.
C/Generalitat 22, 1° 3°
08850 GAVA - BARCELONA (Spain)
Tel. +34.936.388.805 - Fax +34.936.334.595
www.rta-iberica.es