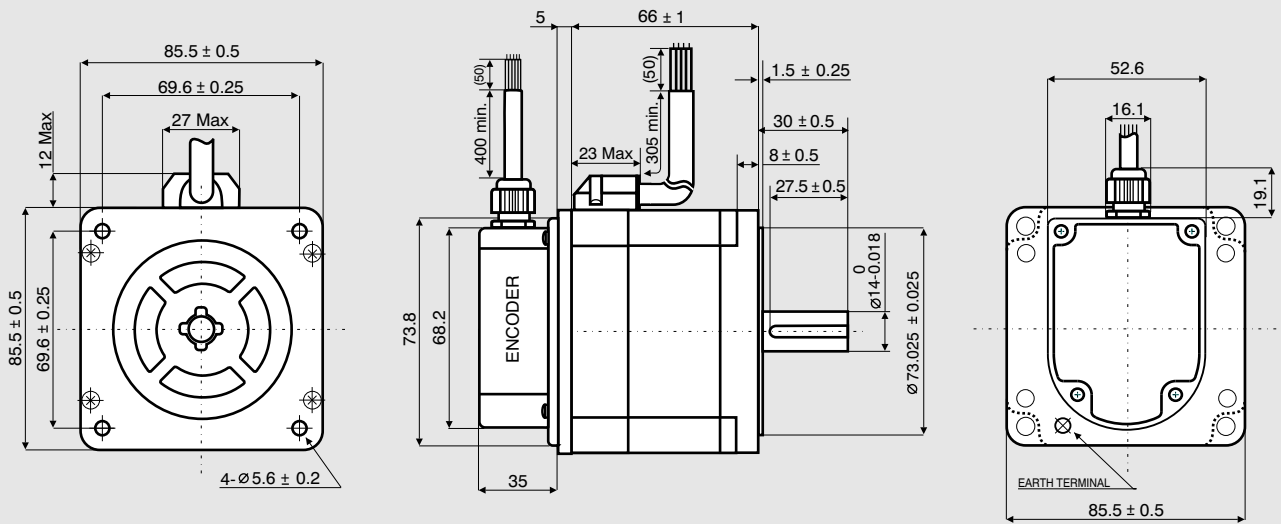


# EM 3F1H-04S0

## Dimensions (Unit:mm)



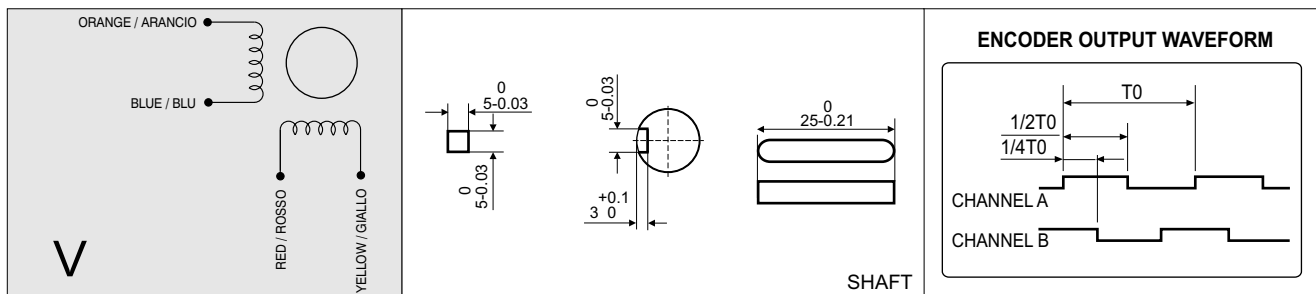
## SANYO DENKI MOTOR FEATURES

MODEL	EM 3F1H-04S0
SANYO DENKI MOTOR CODE	SM 2861-5225
BASIC STEP ANGLE	1.8° ± 0.09°
BIPOLAR PARALLEL CURRENT (Amp)	6.0
RESISTANCE (Ohm)	0.29
INDUCTANCE (mH)	1.7
BIPOLAR HOLDING TORQUE (Ncm)	360
ROTOR INERTIA (Kgm <sup>2</sup> × 10 <sup>-7</sup> )	1480
THEORETICAL ACCELERATION (rad × sec. <sup>-2</sup> )	24300
BACK E.M.F. (V/Krpm)	60
MASS (Kg)	1.8
INTERNATIONAL STANDARDS	UL, CSA
INSULATION VOLTAGE (V)	250 VAC (350 VDC)
PROTECTION DEGREE - INSULATION CLASS	IP43 - F
LEADS CODE	V

R.T.A. - s.r.l. PAVIA (ITALY) SANYO DENKI CO.,Ltd (JAPAN)

## ENCODER FEATURES

POWER SUPPLY VOLTAGE (Volt)	5 V <sub>DC</sub> ± 5%	<table border="1"> <thead> <tr> <th>LEADS COLOR</th> <th>ENCODER</th> </tr> </thead> <tbody> <tr> <td>BLUE</td> <td>CHANNEL A</td> </tr> <tr> <td>GREEN</td> <td>CHANNEL B</td> </tr> <tr> <td>BLACK</td> <td>GND (0 V)</td> </tr> <tr> <td>RED</td> <td>+ DC (5 V)</td> </tr> <tr> <td colspan="2" style="text-align: center;">SHIELD</td> </tr> </tbody> </table>	LEADS COLOR	ENCODER	BLUE	CHANNEL A	GREEN	CHANNEL B	BLACK	GND (0 V)	RED	+ DC (5 V)	SHIELD	
LEADS COLOR	ENCODER													
BLUE	CHANNEL A													
GREEN	CHANNEL B													
BLACK	GND (0 V)													
RED	+ DC (5 V)													
SHIELD														
CURRENT CONSUMPTION (mAmp)	35													
HIGH LEVEL OUTPUT (Volt)	3.4 (TIP) - 2.4 (MIN) (I <sub>MAX</sub> =10 mA)													
LOW LEVEL OUTPUT (Volt)	0.2 (TIP) - 0.4 (MAX) (I <sub>MAX</sub> =10 mA)													
OUTPUT SIGNAL	Single Ended													
RESOLUTION	400 cycles per revolution													
MAXIMUM FREQUENCY (KHz)	60													



ED.01 02-15



R.T.A. s.r.l.  
Via E. Mattei - Fraz. Divisa  
27020 MARCIGNAGO (PV) ITALY  
Tel. +39.0382.929.855 - Fax +39.0382.929.150  
www.rta.it

R.T.A. Deutschland GmbH  
Bublitz Straße 34  
40599 DÜSSELDORF (Germany)  
Tel. +49.211.749.668.60 - Fax +49.211.749.668.66  
www.rta-deutschland.de

R.T.A. IBERICA-Motion Control Systems S.L.  
C/Generalitat 22, 1° 3°  
08850 GAVA - BARCELONA (Spain)  
Tel. +34.936.388.805 - Fax +34.936.334.595  
www.rta-iberica.es