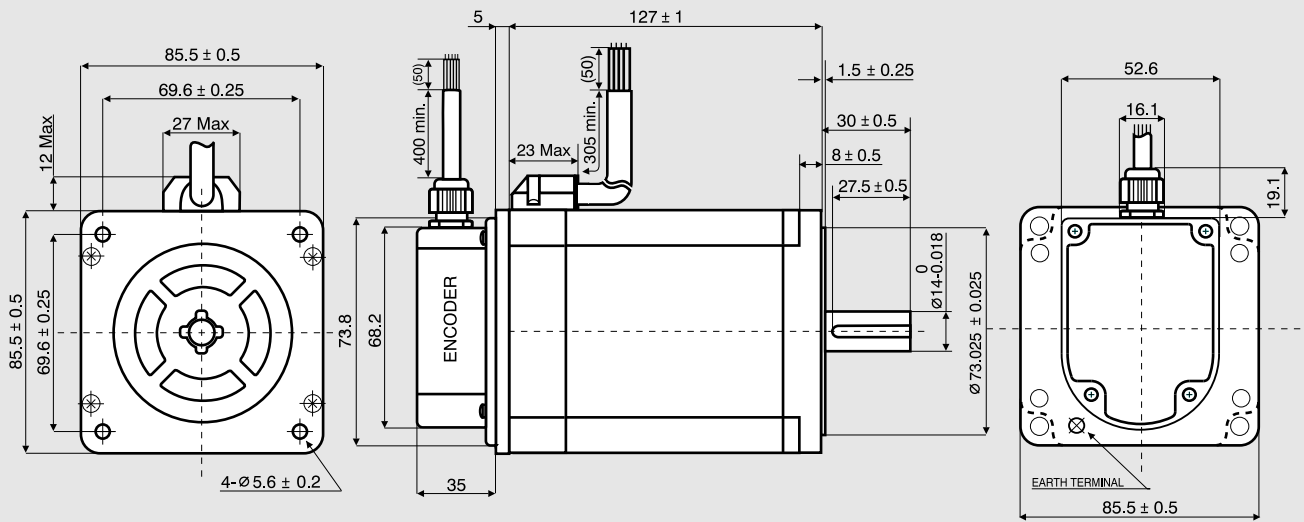


EM 3F3H-04D0

Dimensions (Unit:mm)



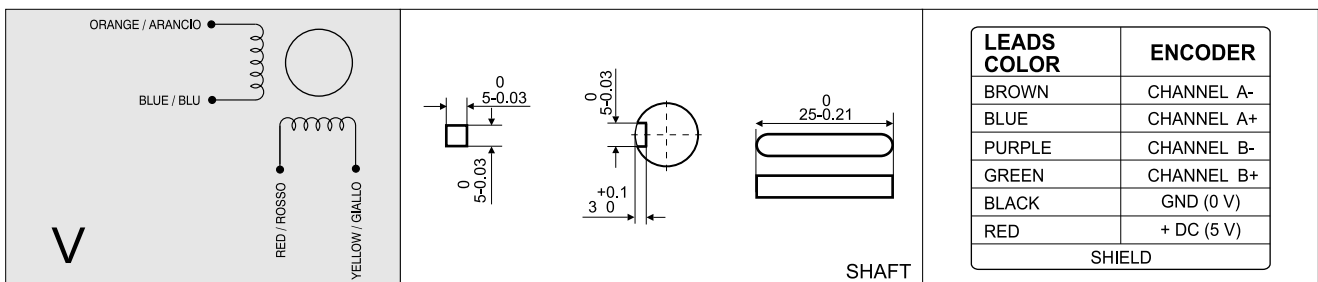
SANYO DENKI MOTOR FEATURES

MODEL	EM 3F3H-04D0	
SANYO DENKI MOTOR CODE	SM 2863-5225	
BASIC STEP ANGLE	1.8° ± 0.09°	
BIPOLAR PARALLEL CURRENT	(Amp)	6.0
RESISTANCE	(Ohm)	0.46
INDUCTANCE	(mH)	3.8
BIPOLAR HOLDING TORQUE	(Ncm)	920
ROTOR INERTIA	(Kg·m ² × 10 ⁻⁷)	4500
THEORETICAL ACCELERATION	(rad × sec. ⁻²)	20500
BACK E.M.F.	(V/Krpm)	161
MASS	(Kg)	4.0
INTERNATIONAL STANDARDS	UL, CSA, CE, RoHS	
INSULATION VOLTAGE	(V)	250 VAC (350 VDC)
PROTECTION DEGREE - INSULATION CLASS	IP43 - F	
LEADS CODE	V	

R.T.A. s.r.l. PAVIA (ITALY) SANYO DENKI CO., Ltd (JAPAN)

ENCODER FEATURES

POWER SUPPLY VOLTAGE	(Volt)	5 V _{DC} ± 5%
CURRENT CONSUMPTION	(mAmp)	40
HIGH LEVEL OUTPUT	(Volt)	3.4 (TIP) - 2.4 (MIN) (I _{MAX} =20 mA)
LOW LEVEL OUTPUT	(Volt)	0.2 (TIP) - 0.4 (MAX) (I _{MAX} =20 mA)
OUTPUT SIGNAL	Differential (SINGLE ENDED version available)	
RESOLUTION	400 cycles per revolution (500 & 1000 CPR version available)	
MAXIMUM FREQUENCY	(KHz)	60
INDEX VERSION	Available upon request	



R.T.A. s.r.l.
Via E. Mattei - Fraz. Divisa
27020 MARCIGNAGO (PV) ITALY
Tel. +39.0382.929.855 - Fax +39.0382.929.150
www.rta.it

R.T.A. Deutschland GmbH
Bublitzter Straße 34
40599 DÜSSELDORF (Germany)
Tel. +49.211.749.668.60 - Fax +49.211.749.668.66
www.rta-deutschland.de

R.T.A. IBERICA-Motion Control Systems S.L.
C/Generalitat 22, 1º 3º
08850 GAVA - BARCELONA (Spain)
Tel. +34.936.388.805 - Fax +34.936.334.595
www.rta-iberica.es