

# CSD Series Drives

## GENERAL DESCRIPTION

**CSD** is the name of a series of ministep bipolar chopper drives, suitable for driving medium-low power two-phase stepping motors, with four, six or eight terminals.

They are offered in two versions:

- **CSD 02/04**: open frame drives in 92 x 85 x 23 mm format.
- **CSD 92/94**: drives housed in a metallic box, 90 x 99 x 21 mm format.

**CSD** series drives are equipped with separated connectors for logic signals and power connections. They are designed for easy mounting inside a metallic electrical cabinet.

The ministep operation, connected with a further electronic resonance damping facility, ensures excellent operating smoothness and low acoustic noise.

Pull-up and pull-down input signals ease interfacing with the most commonly used control systems.

**CSD 02/04**



**CSD 02.V/04.V**



**CSD 92/94**



**Motion Control Systems**

[www.automotsys.com.au](http://www.automotsys.com.au)

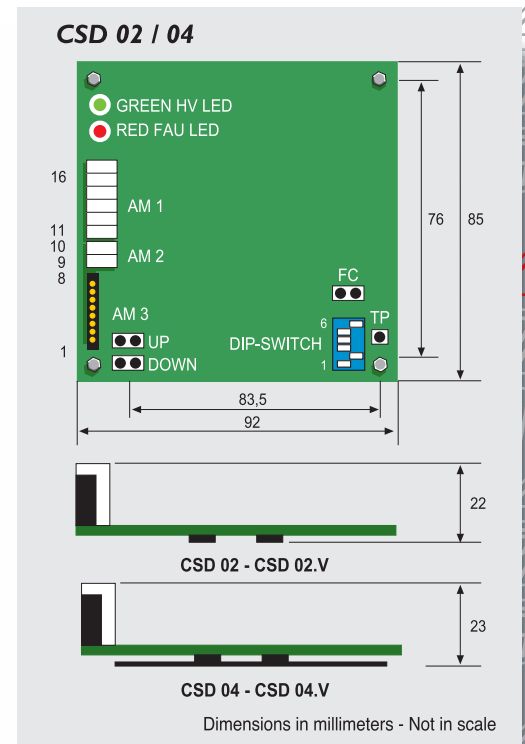
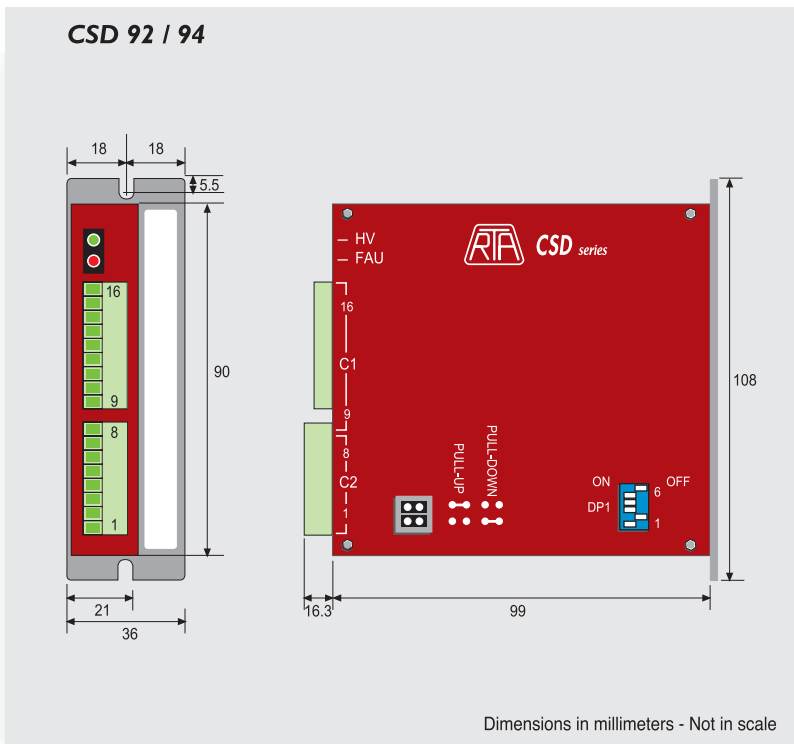
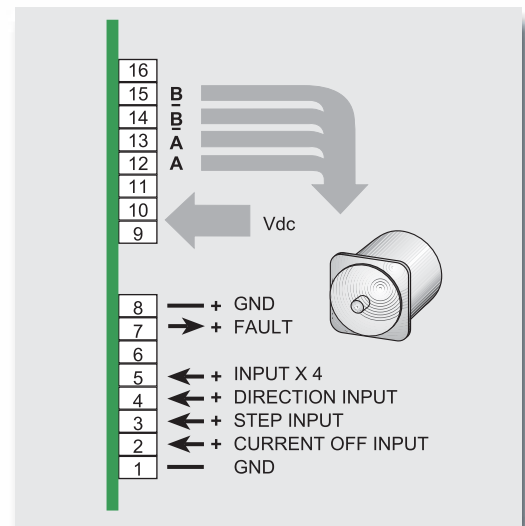
# R.T.A. STEPPING MOTOR DRIVES catalogue

## TECHNICAL FEATURES

- Range of operation voltages from 24 to 48 V<sub>DC</sub>. Operation with a single external supply voltage.
- Motor phase current setting by means of a DIP-SWITCH. Up to eight possible values, between **I<sub>NF</sub> min.** and **I<sub>NF</sub> max.** can be set.
- Operation at 400, 800, 1600, 3200 steps/revolution.
- Automatic current reduction at motor standstill.
- Protection against short circuit at motor outputs, under-voltage and over-voltage and overtemperature protection with thermal sensor.
- Pull-up or Pull-down inputs can be set.
- Two versions are available: with quick connection, crimp-type, or screw-type connectors.
- Possibility to reduce motor current with an external logic signal.
- High efficiency CHOPPER with MOSFET final stage output.
- Electronic damping facility for further acoustic noise and mechanic vibrations reduction at low and medium speed.
- Compact, easy to use and cost effective solution.

Model	V <sub>DC</sub> range	I <sub>NF</sub> min. (Peak value)	I <sub>NF</sub> max. (Peak value)	Dimensions
	(VOLT)	(AMP)	(AMP)	(mm.)
CSD 02 (CSD 02.V)*	24 to 48	0.7	2.4	92x85x22
CSD 04 (CSD 04.V)*	24 to 48	2.6	4.4	92x85x23
CSD 92	24 to 48	0.7	2.4	90x99x21
CSD 94	24 to 48	2.6	4.4	90x99x21

\* CSD 02.V and CSD 04.V versions are equipped with screw-type connectors.



## AUTOMATED MOTION SYSTEMS PTY. LTD.

MAILING ADDRESS:  
P.O. BOX 1240  
WANGARA DC  
W.A. 6947

PHONE: (08) 9309 1896  
FAX: (08) 9309 5671  
EMAIL: sales@automotsys.com.au  
INTERNET: http://www.automotsys.com.au

OFFICE ADDRESS:  
UNIT 2, 7 BARETTA RD.  
WANGARA, PERTH  
WESTERN AUSTRALIA