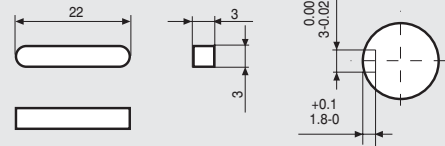
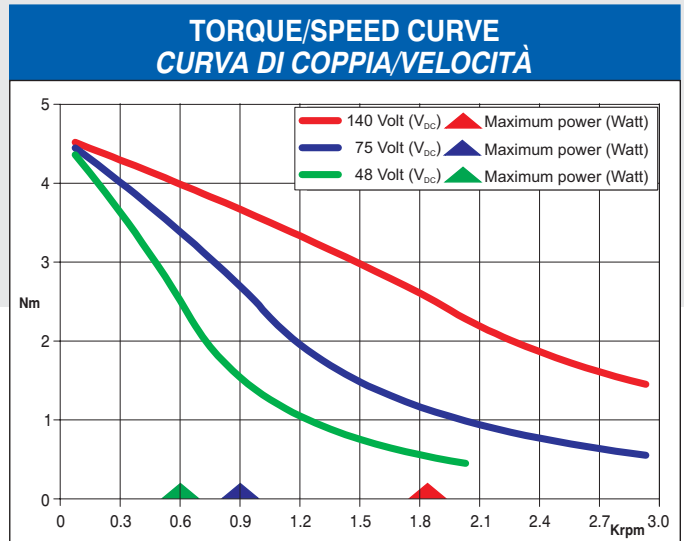


WIRES ARE HOUSED IN A VINYL TUBE.
T IS THE EARTH TERMINAL.

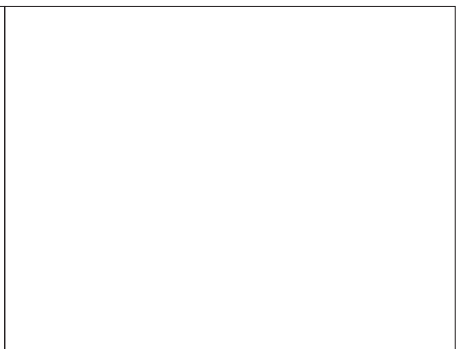
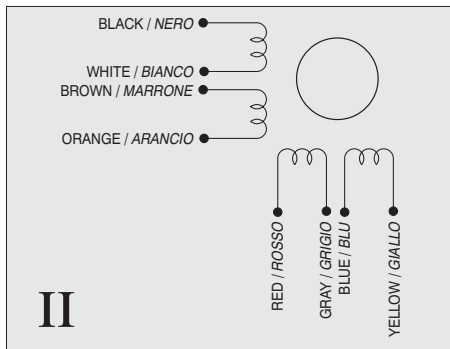


Dimensions in mm.

FEATURES CARATTERISTICHE		103 - 845 - 67S1
MODEL MODELLO		103 - 845 - 67S1
BASIC STEP ANGLE		1.8° ± 0.09°
BIPOLAR CURRENT	(Amp)	9.5 ^(*)
UNIPOLAR CURRENT	(Amp)	6.7
RESISTANCE	(Ohm)	0.45
INDUCTANCE	(mH)	2.0
BIPOLAR HOLDING TORQUE	(Ncm)	510
UNIPOLAR HOLDING TORQUE	(Ncm)	410
ROTOR INERTIA	(Kgm ² x 10 ⁻⁷)	1550
THEORETICAL ACCELERATION	(rad x sec. ⁻²)	32900
BACK E.M.F.	(V/Krpm)	46
MASS	(Kg)	3.6
PROTECTION DEGREE		IP55
LEADS CODE		II



^(*) Bipolar parallel connection.
^(*) Collegamento bipolare parallelo.



R.T.A. s.r.l. PAVIA (ITALY) SANYO DENKI CO., Ltd (JAPAN)

Suggested R.T.A. driver: PLUS Series, contact R.T.A.