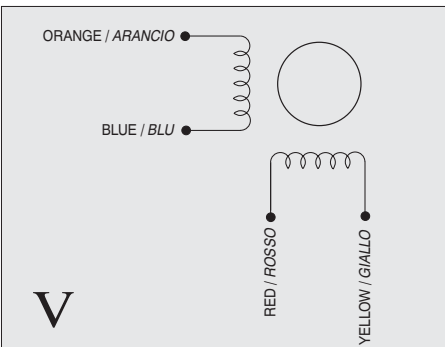
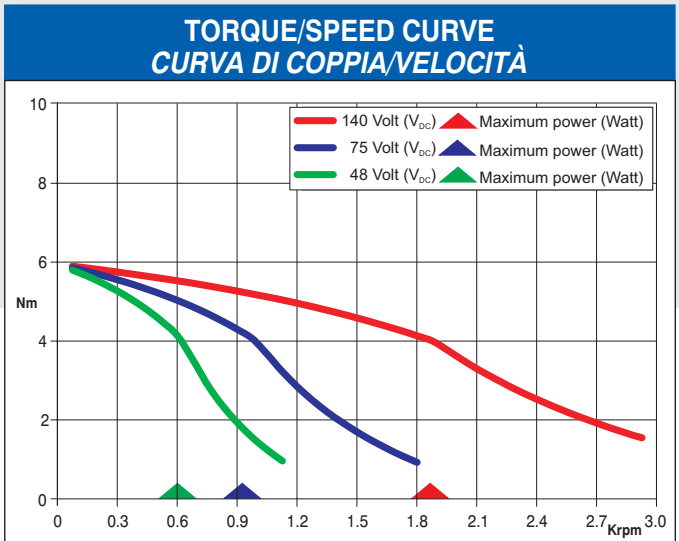


WIRES ARE HOUSED IN A VINYL TUBE.
T IS THE EARTH TERMINAL.

Dimensions in mm.

FEATURES CARATTERISTICHE		MODEL MODELLO	103 - H8223 - 6540 (103 - H8223 - 6510)
BASIC STEP ANGLE			1.8° ± 0.09°
BIPOLAR CURRENT	(Amp)		9
UNIPOLAR CURRENT	(Amp)		
RESISTANCE	(Ohm)		0.2
INDUCTANCE	(mH)		1.4
BIPOLAR HOLDING TORQUE	(Ncm)		790
UNIPOLAR HOLDING TORQUE	(Ncm)		
ROTOR INERTIA	(Kg ^m 2 x 10 ⁻⁷)		4350
THEORETICAL ACCELERATION	(rad x sec. ⁻²)		18200
BACK E.M.F.	(V/Krpm)		88
MASS	(Kg)		3.5
PROTECTION DEGREE			IP43
LEADS CODE			V

Codes between brackets refer to double shaft models.
Le sigle fra parentesi si riferiscono ai modelli bialbero.



Suggested R.T.A. driver: PLUS Series.

R.T.A. s.r.l. PAVIA (ITALY) SANYO DENKI CO., Ltd (JAPAN)