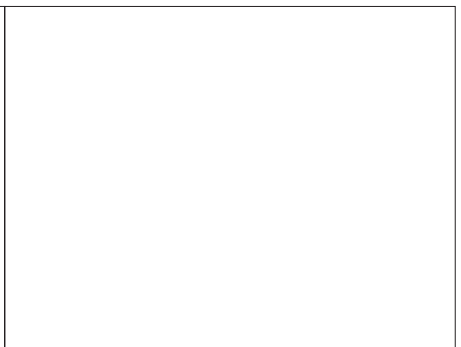
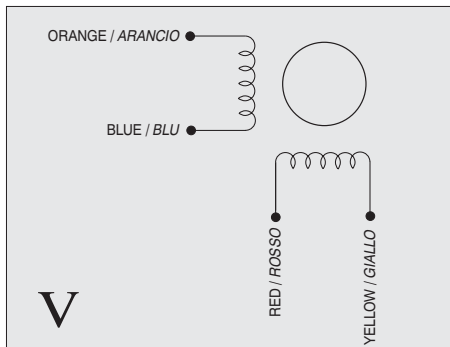
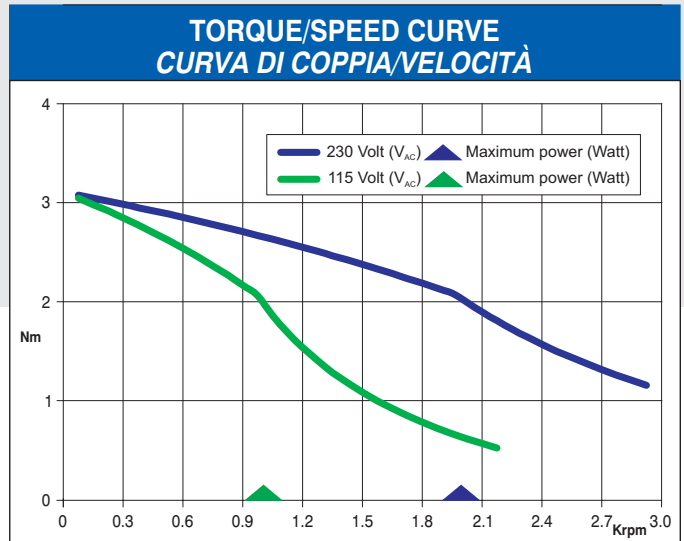


T IS THE EARTH TERMINAL.

Dimensions in mm.

FEATURES CARATTERISTICHE		MODEL MODELLO	SM2861 - 5055
BASIC STEP ANGLE			1.8° ± 0.09°
BIPOLAR PARALLEL CURRENT	(Amp)		2
RESISTANCE	(Ohm)		2.2
INDUCTANCE	(mH)		15
BIPOLAR HOLDING TORQUE	(Ncm)		360
ROTOR INERTIA	(Kgm <sup>2</sup> x 10 <sup>-7</sup> )		1480
THEORETICAL ACCELERATION	(rad x sec. <sup>-2</sup> )		24300
BACK E.M.F.	(V/Krpm)		180
MASS	(Kg)		1.7
INTERNATIONAL STANDARDS			UL, CSA, CE, RoHS
INSULATION VOLTAGE	(V)		250 Vac (350 Vdc)
PROTECTION DEGREE - INSULATION CLASS			IP43 - F
LEADS CODE			V



SANYO DENKI CO., Ltd (JAPAN)  
R.T.A. s.r.l. PAVIA (ITALY)

**Suggested R.T.A. driver: X-PLUS B Series, X-MIND Series.**