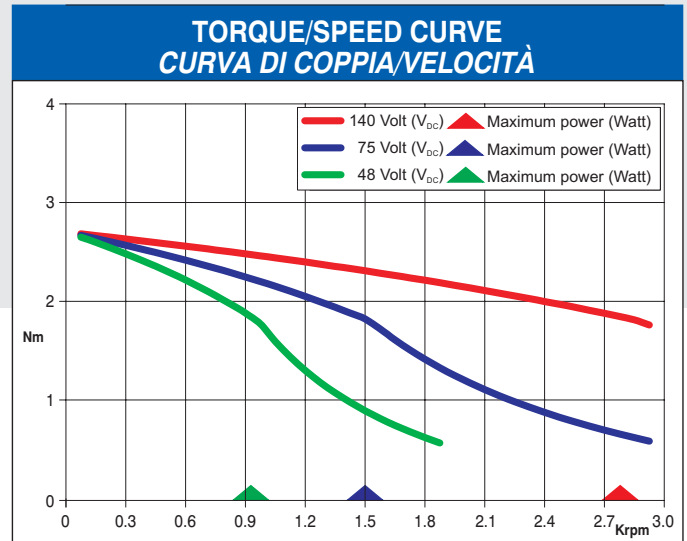


T IS THE EARTH TERMINAL.

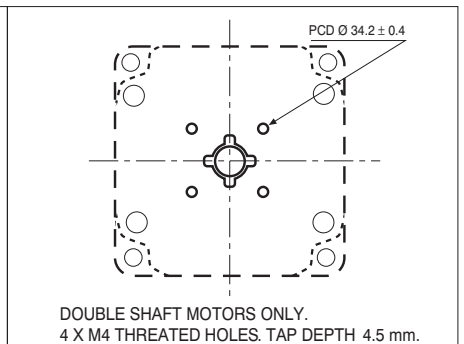
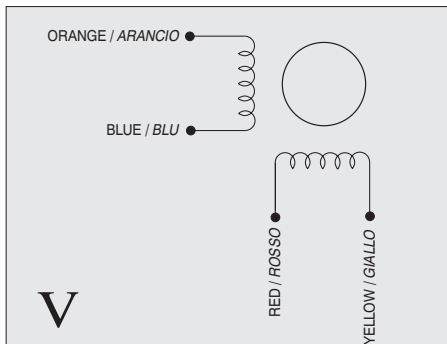
Dimensions in mm.

FEATURES CARATTERISTICHE		MODEL MODELLO	SM2861 - 5255 (SM2861 - 5225)
BASIC STEP ANGLE			1.8° ± 0.09°
BIPOLAR PARALLEL CURRENT	(Amp)		6
RESISTANCE	(Ohm)		0.29
INDUCTANCE	(mH)		1.7
BIPOLAR HOLDING TORQUE	(Ncm)		360
ROTOR INERTIA	(Kgm <sup>2</sup> x 10 <sup>-7</sup> )		1480
THEORETICAL ACCELERATION	(rad x sec. <sup>-2</sup> )		24300
BACK E.M.F.	(V/Krpm)		60
MASS	(Kg)		1.7
INTERNATIONAL STANDARDS			UL, CSA, CE, RoHS
INSULATION VOLTAGE	(V)		250 Vac (350 Vdc)
PROTECTION DEGREE - INSULATION CLASS			IP43 - F
LEADS CODE			V

Codes between brackets refer to double shaft models.  
Le sigle fra parentesi si riferiscono ai modelli bialbero.



R.T.A. s.r.l. PAVIA (ITALY) SANYO DENKI CO., Ltd (JAPAN)



Suggested R.T.A. driver: NDC Series, HGD Series, PLUS Series.