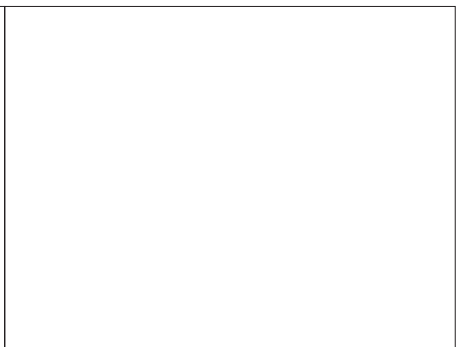
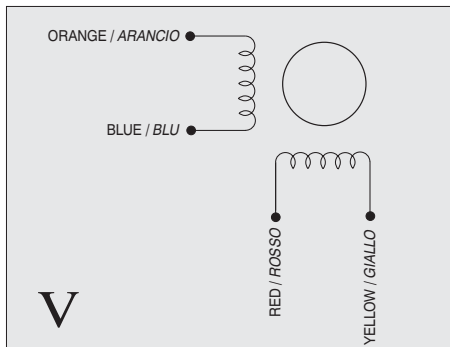
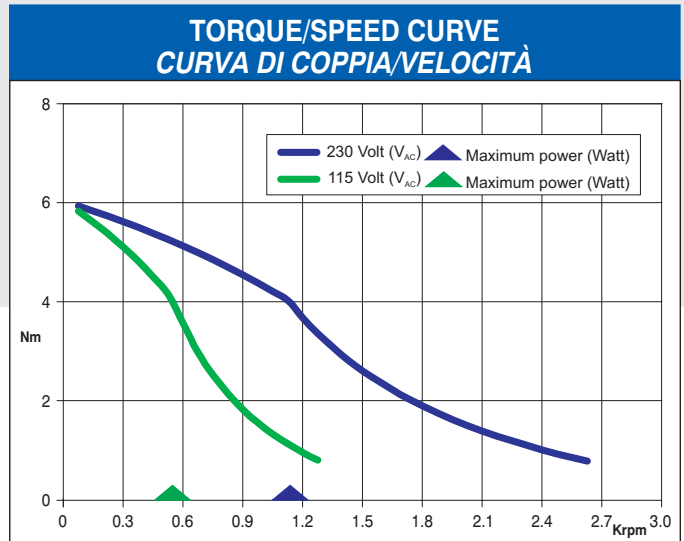


T IS THE EARTH TERMINAL.

Dimensions in mm.

FEATURES CARATTERISTICHE		MODEL MODELLO	SM2862 - 5055
BASIC STEP ANGLE			1.8° ± 0.09°
BIPOLAR PARALLEL CURRENT	(Amp)		2
RESISTANCE	(Ohm)		3.2
INDUCTANCE	(mH)		25
BIPOLAR HOLDING TORQUE	(Ncm)		700
ROTOR INERTIA	(Kg <sup>m</sup> 2 x 10 <sup>-7</sup> )		3000
THEORETICAL ACCELERATION	(rad x sec. <sup>-2</sup> )		23300
BACK E.M.F.	(V/Krpm)		350
MASS	(Kg)		2.9
INTERNATIONAL STANDARDS			UL, CSA, CE, RoHS
INSULATION VOLTAGE	(V)		250 V <sub>ac</sub> (350 V <sub>dc</sub> )
PROTECTION DEGREE - INSULATION CLASS			IP43 - F
LEADS CODE			V



R.T.A. s.r.l. PAVIA (ITALY) SANYO DENKI CO., Ltd (JAPAN)

Suggested R.T.A. driver: X-PLUS B Series, X-MIND Series.