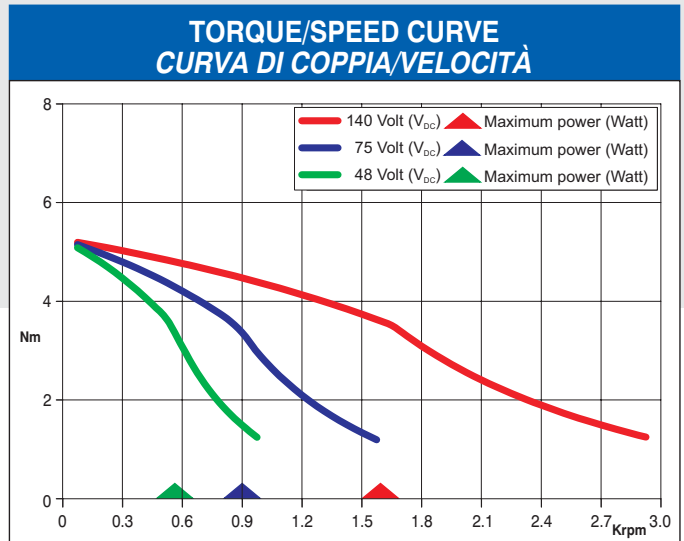


T IS THE EARTH TERMINAL.

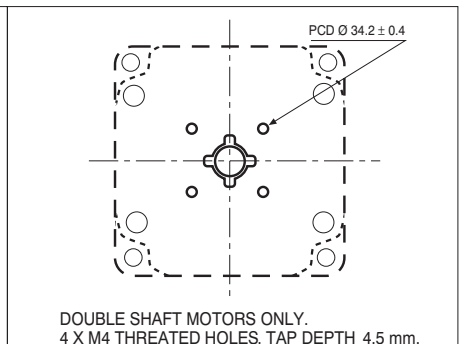
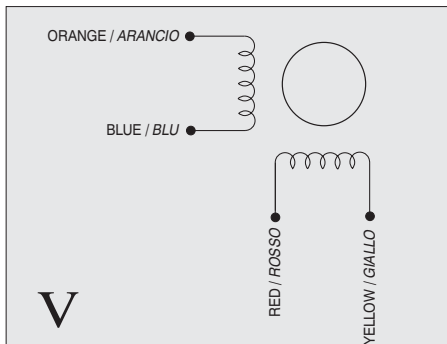
Dimensions in mm.

FEATURES CARATTERISTICHE		MODEL MODELLO	SM2862 - 5255 (SM2862 - 5225)
BASIC STEP ANGLE			1.8° ± 0.09°
BIPOLAR PARALLEL CURRENT	(Amp)		6
RESISTANCE	(Ohm)		0.36
INDUCTANCE	(mH)		2.8
BIPOLAR HOLDING TORQUE	(Ncm)		700
ROTOR INERTIA	(Kgm ² x 10 ⁻⁷)		3000
THEORETICAL ACCELERATION	(rad x sec. ⁻²)		23300
BACK E.M.F.	(V/Krpm)		120
MASS	(Kg)		2.9
INTERNATIONAL STANDARDS			UL, CSA, CE, RoHS
INSULATION VOLTAGE	(V)		250 Vac (350 Vdc)
PROTECTION DEGREE - INSULATION CLASS			IP43 - F
LEADS CODE			V

Codes between brackets refer to double shaft models.
Le sigle fra parentesi si riferiscono ai modelli bialbero.



R.T.A. s.r.l. PAVIA (ITALY) SANYO DENKI CO., Ltd (JAPAN)



DOUBLE SHAFT MOTORS ONLY.
4 X M4 THREADED HOLES. TAP DEPTH 4.5 mm.

Suggested R.T.A. driver: NDC Series, HGD Series, PLUS Series.