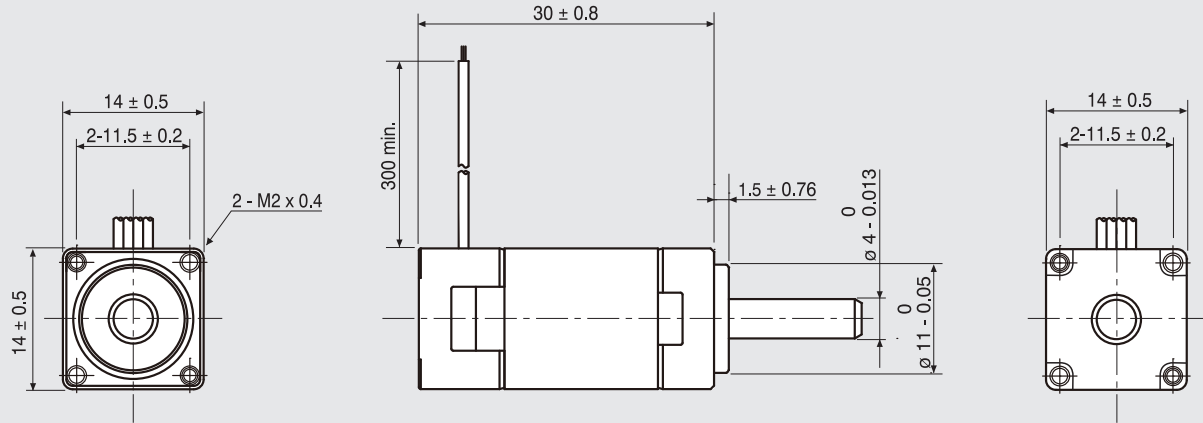


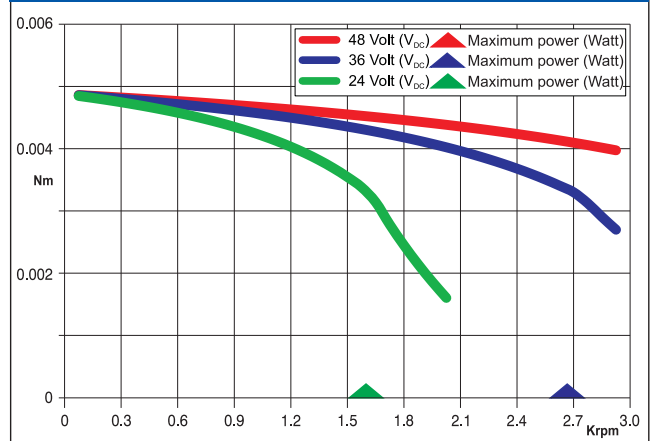
Dimensions (Unit:mm)



FEATURES

MODEL	SH2141-5541	
BASIC STEP ANGLE	$1.8^\circ \pm 0.09^\circ$	
BIPOLAR CURRENT	(Amp)	0.3
UNIPOLAR CURRENT	(Amp)	
RESISTANCE	(Ohm)	21
INDUCTANCE	(mH)	4.2
BIPOLAR HOLDING TORQUE	(Ncm)	0.65
UNIPOLAR HOLDING TORQUE	(Ncm)	
ROTOR INERTIA	(Kgm ² x 10 ⁻⁷)	0.58
THEORETICAL ACCELERATION	(rad x sec. ⁻²)	112000
BACK E.M.F.	(V/Krpm)	10
MASS	(Kg)	0.028
LEADS CODE	V	

TORQUE/SPEED CURVE



Suggested R.T.A. driver: contact R.T.A.



R.T.A. s.r.l.
Via E. Mattei - Fraz. Divisa
27020 MARCIGNAGO (PV) ITALY
Tel. +39.0382.929.855 - Fax +39.0382.929.150
www.rta.it

R.T.A. Deutschland GmbH
Bublitzer Straße 34
40599 DÜSSELDORF (Germany)
Tel. +49.211.749.668.60 - Fax +49.211.749.668.66
www.rta-deutschland.de

R.T.A. IBERICA-Motion Control Systems S.L.
C/Generalitat 22, 1º 3º
08850 GAVA - BARCELONA (Spain)
Tel. +34.936.388.805 - Fax +34.936.334.595
www.rta-iberica.es