

CLUTCH BRAKE

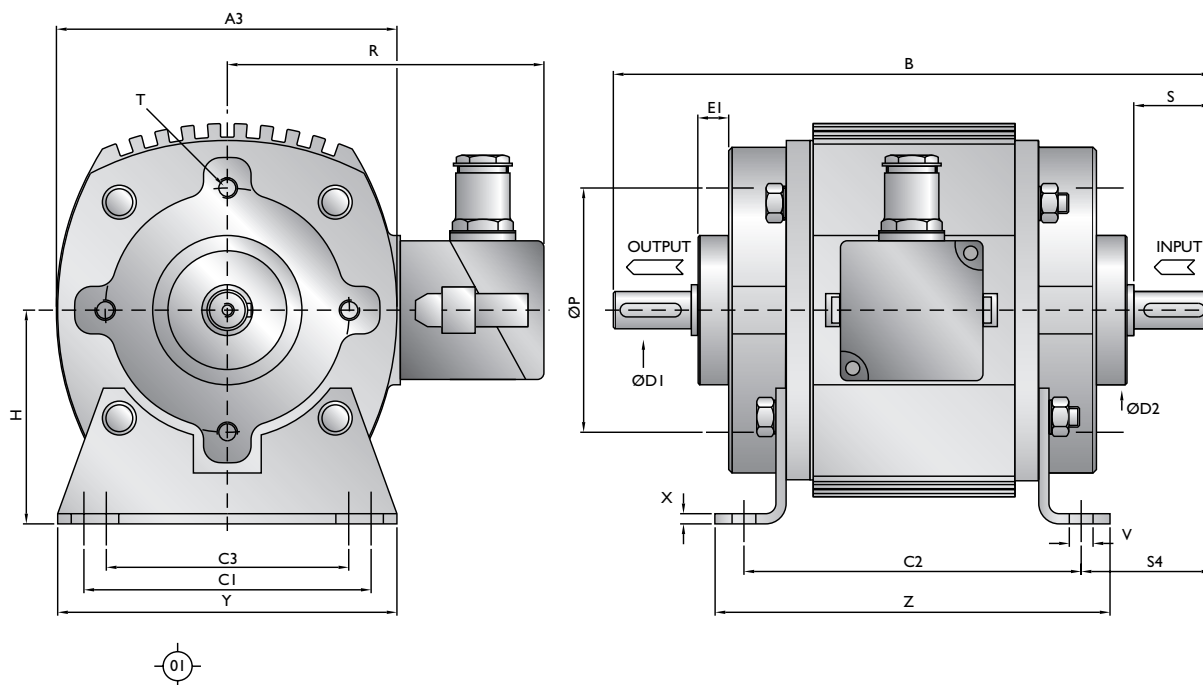
TYPE 55 (01)



SG Transmission

Electromagnetic Clutch & Brake Solutions

SG Transmission, 20 Longfield Road, South Church Enterprise Park, Bishop Auckland, County Durham, UK, DL14 6XB
Tel: +44 (0)1388 770 360 Fax: +44 (0)1388 779 197 sales@sgtransmission.com www.sgtransmission.com



Size	TrQ TS (Nm)	Max P20 (w)	A3	B	C1	C2	C3	D1 k6	D2 h8	E1	H	P	R	S	S4	T	V	X	Y	Z	Air gap 'G'	Design NO.
06	8	13	102	177 191	85	100	71	11 14	44	9	63	72	94.5	23 30	38.5 45.5	4xM6	7	3	100	117	0.20	0601
08	16	21	128	209 229	110	115	105	14 19	50	10	71	90	107.5	30 40	47 57	4xM8	9	3	130	135	0.20	0801
10	32	31	153.8	254 274	142	135	128	19 24	62	12	90	112	120.4	40 50	49.5 69.5	4xM8	9	3	160	156	0.20	1001
12	65	34	193.5	301 321	160	155	150	24 28	74	14	100	137	136	50 60	73 83	4xM10	11	5	185	178	0.30	1201
16	120	45	250	351 391	195	170	169.6	28 38	100	16	132	130	168.5	60 80	90.5 110.5	6xM10	12.7	5	224	200	0.30	1601
20	240	65	268	395 435	235	185	225	28 38	120	16	158	215	177.5	60 80	106 126	6xM10	15	5	260	216	0.50	2001

Keyways to B.S. 4235 • Shaft centre-holes to DIN 332 • Insulation Class B

