

# CLUTCH BRAKE

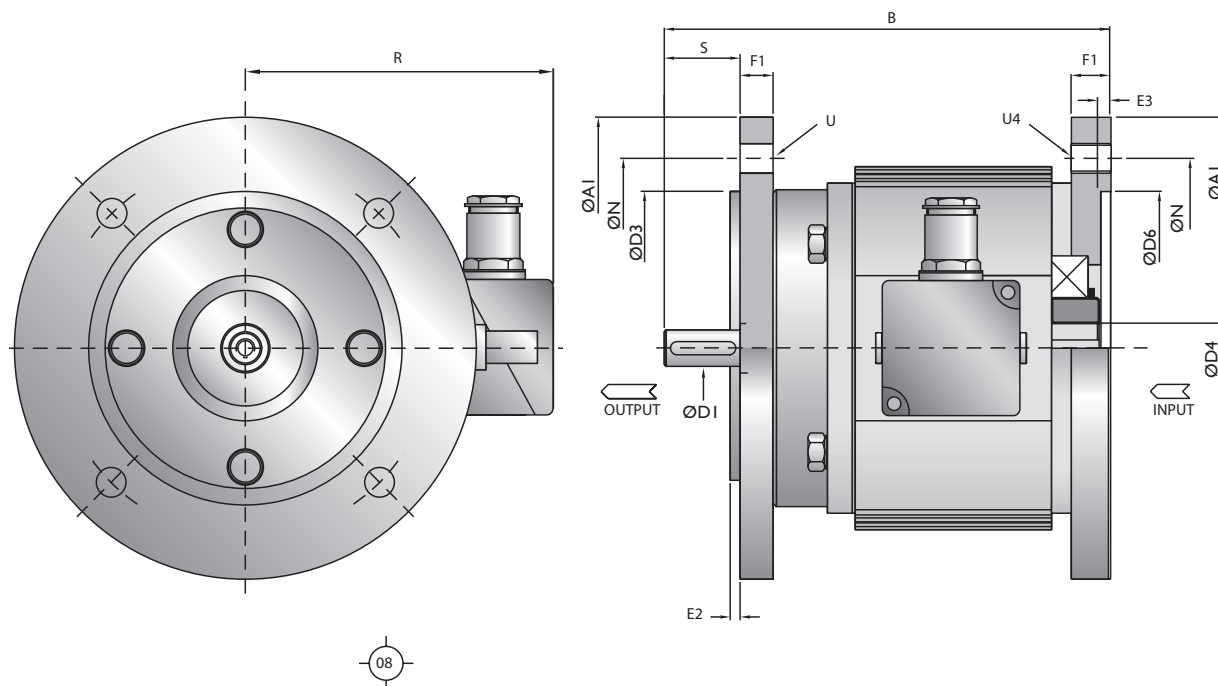
TYPE 55 (08)



**SG Transmission**

Electromagnetic Clutch & Brake Solutions

SG Transmission, 20 Longfield Road, South Church Enterprise Park, Bishop Auckland, County Durham, UK, DL14 6XB  
Tel: +44 (0)1388 770 360 Fax: +44 (0)1388 779 197 sales@sgtransmission.com www.sgtransmission.com



Size	TrQ TS (Nm)	Max P20 (w)	A1	B	D1 k6	D3 h8	D4 Max G7	D6 + 0.3 + 0.2	E2	E3	F1	N	R	S	U x4	U4 x4	Air gap 'G'	Design NO.
<b>06</b>	8	12	140 160	135 142	11 14	95 110	15	95 110	3	4	10	115 130	94.5	23 30	9	M8	0.20	0608
<b>08</b>	16	21	160 200	157 167	14 19	110 130	24	110 130	3.5	4	10	130 165	107.5	30 40	9 11	M8 M10	0.20	0808
<b>10</b>	32	31	200	88 198	19 24	130	28	130	3.5	4	12	165	120.4	40 50	11	M10	0.20	1008
<b>12</b>	65	34	200 250	218 228	24 28	130 180	35	130 180	3.5	4.5	14	165 215	136	50 60	11 14	M10 M12	0.30	1208
<b>16</b>	120	41	250 300	250 270	28 38	180 230	42	180 230	4	5	18	215 265	167.5	60 80	14	M12	0.30	1608
<b>20</b>	240	58	250 300	287 307	28 38	180 230	50	180 230	4	5	18	215 265	177.5	60 80	14	M12	0.50	2008

Keyways to B.S. 4235 • Shaft centre-holes to DIN 332 • Insulation Class B

