

CLUTCH - BALL BEARING MOUNTED

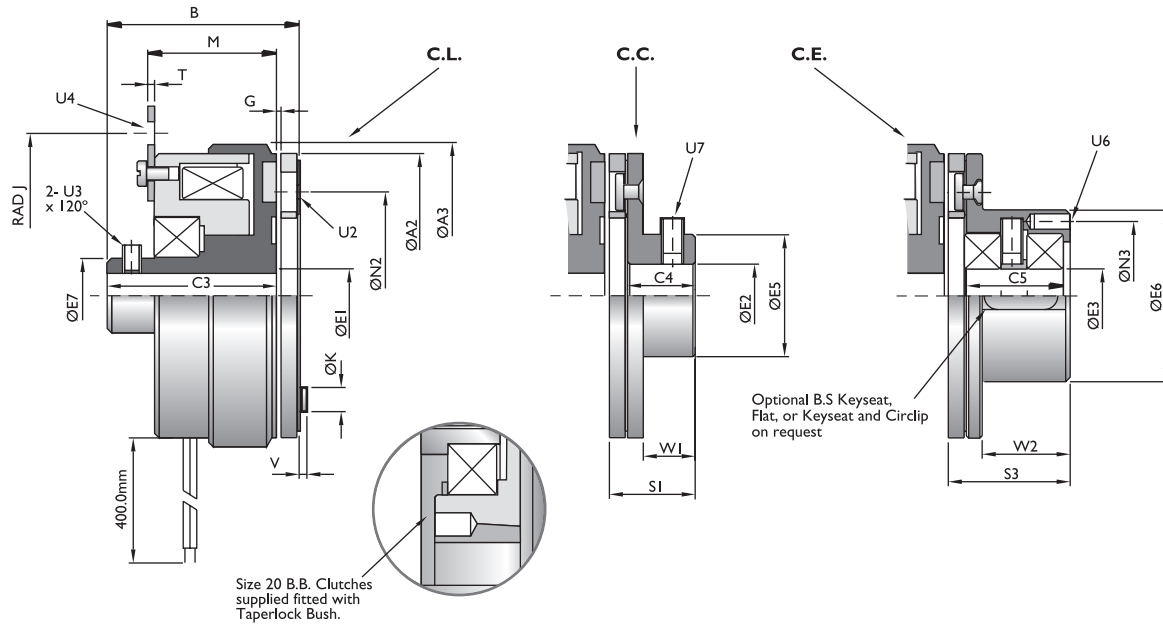
TYPE 51



SG Transmission

Electromagnetic Clutch & Brake Solutions

SG Transmission, 20 Longfield Road, South Church Enterprise Park, Bishop Auckland, County Durham, UK, DL14 6XB
Tel: +44 (0)1388 770 360 Fax: +44 (0)1388 779 197 sales@sgtransmission.com www.sgtransmission.com



Size	Torque TS (Nm)	Max P20 (w)	A2	A3	B	C3	C4	C5	Max E1 H7	Max E2 H7	E3	E5	E6 K6	E7	G	J	K	M	N2	N3	S1	S3	T	U2	U3	U4	U6	U7	V	W1	W2
05	3	10	50	54	33	30	12	12	8	15	7	24	30	10	0.2	28	6.1	26	38	24	15.3	18	1.5	3x3.1	M4	SLOT 5.10	3xM3	M4	1.5	9.5	12
06	8	12	63	67	44	40	15	20	12	17	12	27	38	16.5	0.2	36	6.1	28.5	46	33	19	27	1.5	3x3.1	M4	SLOT 5.10	3xM4	M5	1.5	11.5	20
07	8	12	66.5	68	40	36	15	20	12	17	12	27	38	16.5	0.2	40	6.1	28.5	46	33	19	27	1.5	3x3.1	M5	HOLE 5.10	3xM4	M5	1.5	11.5	20
08	16	18	80	85	37	32	20	23.5	17	20	15	32	45	25	0.2	45	8	28	60	37	24.7	34	1.5	3x4.1	M4	SLOT 5.00	3xM4	M5	2	16	25
10	32	25	100	107	55	49	25	32	25	30	20	42	55	35	0.2	58.5	9	39.1	76	47	30	41	2	3x5.1	M6	HOLE 5.50	4xM4	M6	2	19	30
11	32	25	105	107	52	46	25	32	25	30	20	42	55	35	0.2	58.5	9	39.1	76	47	30	41	2	3x5.1	M6	HOLE 5.50	4xM4	M6	2	19	30
13	65	32	125	133	59	52	30	42	28	35	25	49	64	40	0.3	71	10	43	95	52	37.2	53.5	2	3x6.1	M6	SLOT 6.10	4xM4	M6	2.5	25	40
16	120	45	160	170	71	62	38	54	40	40	30	65	75	60	0.3	92	13	52.5	120	62	48	66	2.5	3x8.2	M8	SLOT 8.10	6xM5	M8	9	30	50
20	240	50	200	213	53	43	40	67	40	60	40	83	90	80	0.5	127	16	52.5	158	75	50	80.9	3	3x10.2	-	SLOT 9.50	4xM6	M8	11	30.5	60

Keyways to B.S. 4235 • Insulation Class B

SIZE FIELD MOUNTING ARMATURE TYPE ARMATURE BORE ROTOR BORE D.C. VOLTAGE

10 - CLUTCH - B.B. - C.E. - 20 - 20 - 24
Voltages 12 or 24v. DC