

BRAKE - FLANGE MOUNTED

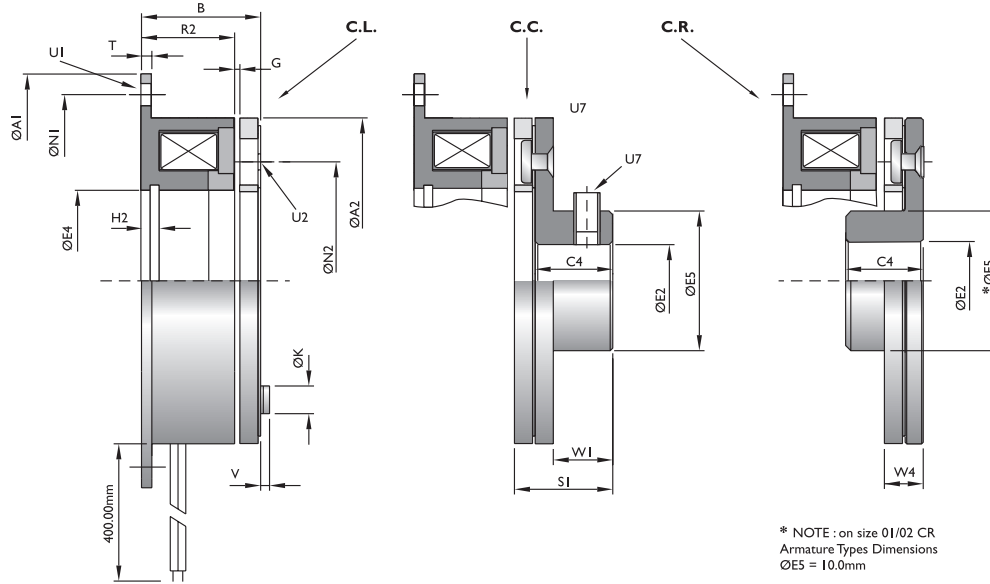
TYPE 52

SG Transmission, 20 Longfield Road, South Church Enterprise Park, Bishop Auckland, County Durham, UK, DL14 6XB
Tel: +44 (0)1388 770 360 Fax: +44 (0)1388 779 197 sales@sgtransmission.com www.sgtransmission.com



SG Transmission

Electromagnetic Clutch & Brake Solutions



Size	Torque TS (Nm)	Max P20 (w)	A1 h9	A2	B	C4	Max E2 H7	E4 H8	E5	G	H2	K	N1	N2	R2	S1	T	U1 x4	U2	U7	V	W1	W4
00	0.30	5	38	28.6	17	7	6.5	11	10	0.1	-	5	33.3	19.5	14	9.7	1.5	3.2	2x2.6	M3	1	4.5	4.7
01	0.60	6	38	30	18.5	10	6.5	11.5	12	0.1	-	5	33.3	19.5	16	12.8	1.5	3.2	2x2.6	M3	1	8	-
02	0.75	6	45	32	19.5	10	6.5	13	12	0.1	3	5	38	23	17	12.8	2	3.5	3x2.6	M3	1.5	8	4.8
03	1.20	8	54	40	23.2	12	10	19	17	0.15	3.2	6.1	47	30	20	15.3	2	3.5	3x3.1	M3	1.5	9.5	5.8
04	1.60	8	62	42	23.2	12	10	19	17	0.15	-	6.1	54	29	20	15.3	2	5	2x3.1	M3	1.5	9.5	5.8
05	3	10	65	50	25.2	12	15	26	24	0.2	3.2	6.1	58	38	22	15.3	2	3.5	3x3.1	M4	1.5	9.5	6
06	8	12	80	63	22	15	17	35	27	0.2	3.5	6.1	72	46	18	19	2	4.5	3x3.1	M5	1.5	11.5	7.5
07	8	12	89	66.5	36	15	17	27	27	0.2	-	6.1	79.5	46	32	19	2	5	3x3.1	M5	1.5	11.5	-
08	16	18	100	80	24.5	20	20	42	32	0.2	4.3	8	90	60	20	24.7	2.5	5.3	3x4.1	M5	2	16	8.7
10	32	25	125	100	28	25	30	52	42	0.2	5	9	112	76	22	30	3	6.5	3x5.1	M6	2	19	11
11	32	25	143	105	44	25	30	47.6	42	0.2	-	9	127	76	38	30	3	7.5	3x5.1	M6	2	19	-
12	65	32	150	125	31	30	35	62	49	0.3	5.5	10	137	95	24	37.2	3.5	6.5	3x6.1	M6	2.5	24	13
13	65	32	165	125	39	30	35	52.4	49	0.3	-	10	149	95	33	37.2	3.5	10.2	3x6.1	M6	2.5	24	-
16	120	45	190	160	35	38	40	80	65	0.3	6	13	175	120	26	48	4	9	3x8.2	M8	9	30	16
20	240	60	230	200	41.6	48	60	100	92	0.5	7	16	215	158	30	59	5	9	3x10.2	M8	11	39	20

High Torque (Multi-Pole) Versions

Size	Torque TS (Nm)	Max P20 (w)	A1 h9	A2	B	C4	Max E2 H7	E4 H8	E5	G	H2	K	N1	N2	R2	S1	T	U1 x4	U2	U7	V	W1	W4
SZ06	12	12	80	63	28	15	17	35	27	0.2	3.5	6.1	72	46	24	19	2	4.5	3x3.1	M5	1.5	11.5	7.5
SZ08	30	21	100	80	32.5	20	20	42	32	0.2	4.3	8	90	60	27	24.7	2.5	5.3	3x4.1	M5	2	16	8.7
SZ10	50	21	125	100	35	25	30	52	42	0.2	5	9	112	76	29	30	3	6.5	3x5.1	M6	2	19	11

Keyways to B.S. 4235 • Insulation Class B

SIZE FIELD MOUNTING ARMATURE TYPE ARMATURE BORE D.C. VOLTAGE

12 - BRAKE - F.M. - C.R. - 25 - 24
Voltages 12 or 24v. DC