

CLUTCH BRAKE - EXTRUDED HOUSING

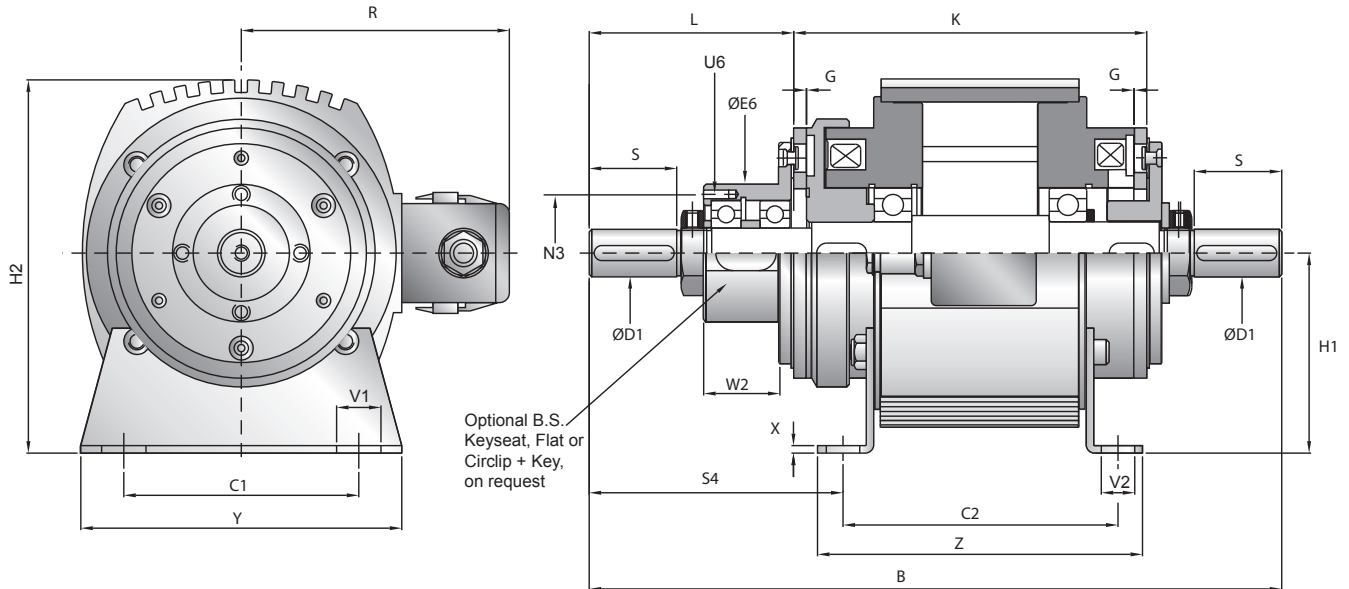
TYPE 54



SG Transmission

Electromagnetic Clutch & Brake Solutions

SG Transmission, 20 Longfield Road, South Church Enterprise Park, Bishop Auckland, County Durham, UK, DL14 6XB
Tel: +44 (0)1388 770 360 Fax: +44 (0)1388 779 197 sales@sgtransmission.com www.sgtransmission.com



Size	Trq TS (Nm)	Max P20 (w)	B	C1	C2	D1 j6	E6 k6	G	H1	H2	K	L	N3	R	S	S4	U6	V1	V2	W2	X	Y	Z	Design NO.
08	16	18	230	65	88	14	45	0.2	65	120	127	64	37	94.5	30	84	3xM4	14	8	25	3	90	105	0801
10	32	31	283	80	110	19	55	0.2	80	158	155	76	47	107.5	40	105	4xM4	16	9	30	3	110	130	1001
12	65	32	344	105	135	24	64	0.3	90	170.5	185	101.5	52	120.5	50	131	4xM4	20	11	40	3	140	160	1201

Keyways to B.S. 4235 • Shaft centre-holes to DIN 332 • Insulation Class B

