

# CLUTCH - FLANGE MOUNTED

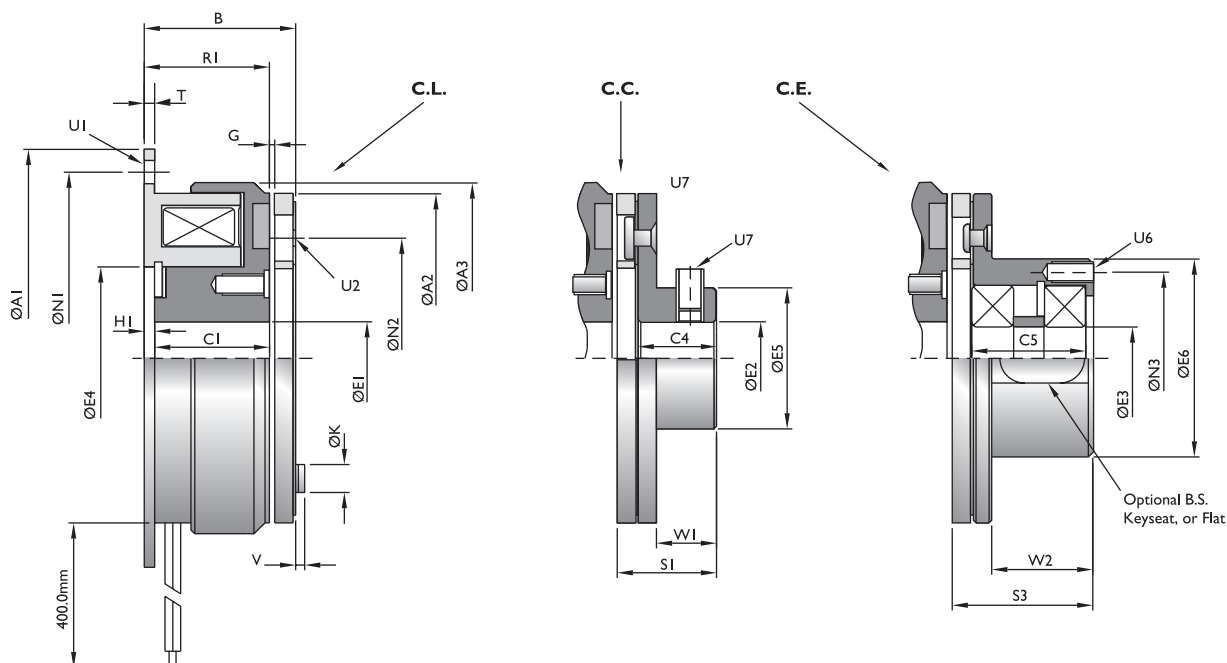
TYPE 51



**SG Transmission**

Electromagnetic Clutch & Brake Solutions

SG Transmission, 20 Longfield Road, South Church Enterprise Park, Bishop Auckland, County Durham, UK, DL14 6XB  
Tel: +44 (0)1388 770 360 Fax: +44 (0)1388 779 197 sales@sgtransmission.com www.sgtransmission.com



Size	Trq TS (Nm)	Max P20 (w)	A1 h9	A2	A3	B	C1	C4	C5	MAX E1 H7	MAX E2 H7	E3	E4 H8	E5	E6 k6	G	H1	K	N1	N2	N3	R1	S1	S3	T	U1 x4	U2	U6	U7	V	W1	W2
00	0.30	5	38	28.6	28	18.6	12.5	7	-	6.5	6.5	-	11	10	-	0.1	0.5	5	33.3	19.5	-	15.5	9.7	-	1.5	3.2	2x2.6	-	M3	1	4.5	-
01	0.60	6	38	30	31	18.5	13.6	10	-	6.5	6.5	-	11.5	12	-	0.1	0.5	5	33.3	19.5	-	16.5	12.8	-	1.5	2.6	2x2.6	-	M3	1	8	-
02	0.75	6	45	32	34	25	20.2	10	-	6.5	6.5	-	13	12	-	0.1	2	5	38	23	-	22.2	12.8	-	2	3.5	3x2.6	-	M3	1.5	8	-
03	1.20	8	54	40	43	28.5	23.4	12	-	10	10	-	19	17	-	0.15	2.2	6.1	47	30	-	25.6	15.3	-	2	3.5	3x3.1	-	M3	1.5	9.5	-
04	1.60	8	62	42	44	28.8	19	12	-	10	10	-	19	17	-	0.15	2.2	6.1	54	29	-	25.4	15.3	-	2	5	2x3.1	-	M3	1.5	9.5	-
05	3	10	65	50	54	31.8	26.1	12	12	15	15	7	26	24	30	0.2	2	6.1	58	38	24	28.1	15.3	18	2	3.5	3x3.1	3xM3	M4	1.5	9.5	12
06	8	15	80	63	66.5	28	22	15	20	17	17	12	35	27	38	0.2	2	6.1	72	46	33	24	19	27	2	4.5	3x3.1	3xM4	M5	1.5	11.5	20
07	8	15	89	63	68	36	22.5	15	20	15	17	12	27	27	38	0.2	9.5	6.1	79.5	46	33	32	17	27	2	5	3x3.1	3xM4	M5	1.5	11.5	20
08	16	18	100	80	85	31	24	20	23.5	22	20	15	42	32	45	0.2	2.5	8	90	60	37	26.5	24.7	34	2.5	5.5	3x4.1	3xM4	M5	2	16	25
10	32	31	125	100	107	36	27	25	32	30	30	20	52	42	55	0.2	3	9	112	76	47	30	30	41	3	6.5	3x5.1	4xM4	M6	2	19	30
11	32	25	143	105	107	42	33	25	32	25	30	20	47.6	42	55	0.2	4.7	9	127	76	47	38	30	41	3	7.5	3x5.1	4xM4	M6	2	20	30
12	65	32	150	125	133	41	30	30	42	40	35	25	62	49	64	0.3	3.5	10	137	95	52	33.5	37.2	53.5	3.5	6.5	3x6.1	4xM4	M6	2.5	24	40
16	120	45	190	160	170	47	38	38	54	50	40	30	80	65	75	0.3	3.5	13	175	120	62	37.5	48	66	4	9	3x8.2	6xM5	M8	9	30	50
20	240	65	230	200	213	54	40	48	67	65	60	40	100	92	90	0.5	4	16	215	158	75	44	59	80.9	5	9	3x10.2	4xM6	M8	11	39	60

Keyways to B.S. 4235 • Insulation Class B

SIZE      FIELD MOUNTING      ARMATURE TYPE      ARMATURE BORE      ROTOR BORE      D.C. VOLTAGE

**08 - CLUTCH - F.M. - C.C. - 15 - 20 - 24**  
**Voltages 12 or 24v. DC**