

ELECTROMAGNET

TYPE 58

SG Transmission, 20 Longfield Road, South Church Enterprise Park, Bishop Auckland, County Durham, UK, DL14 6XB
Tel: +44 (0)1388 770 360 Fax: +44 (0)1388 779 197 sales@sgtransmission.com www.sgtransmission.com



SG Transmission

Electromagnetic Clutch & Brake Solutions

SG Transmission manufactures a wide range of general purpose holding magnets for demanding industrial applications.

Holding electromagnets are magnetic devices with steel bodies and internal coils used to securely hold ferromagnetic parts once the coil is energised.

The magnets are energised to hold, where electric current is required to turn the magnet ON. Power is then removed to turn the magnet OFF.

The holding forces of the securing magnets are largely dependent upon the degree of magnetisability and the surface quality of the parts to be secured. They are ideal for remote hold/release mechanisms.

Features

- Available in a range of sizes Ø20-Ø100mm
- 12V/24 Vd.c./230 Va.c. operating voltages or others on application
- Axial forces ranging from 90 to 3500N
- Special voltages / forces / mountings available on request
- High quality, cost effective package



Typical applications include:

- Door locking / holding mechanisms for access control and fire security applications
- Fire door holders
- Turnstile barriers
- Oncology machines and adjustable beds for medical applications
- Wind turbines in the renewable energy sector
- Feeder mechanisms for packaging and textile machinery

ELECTROMAGNET

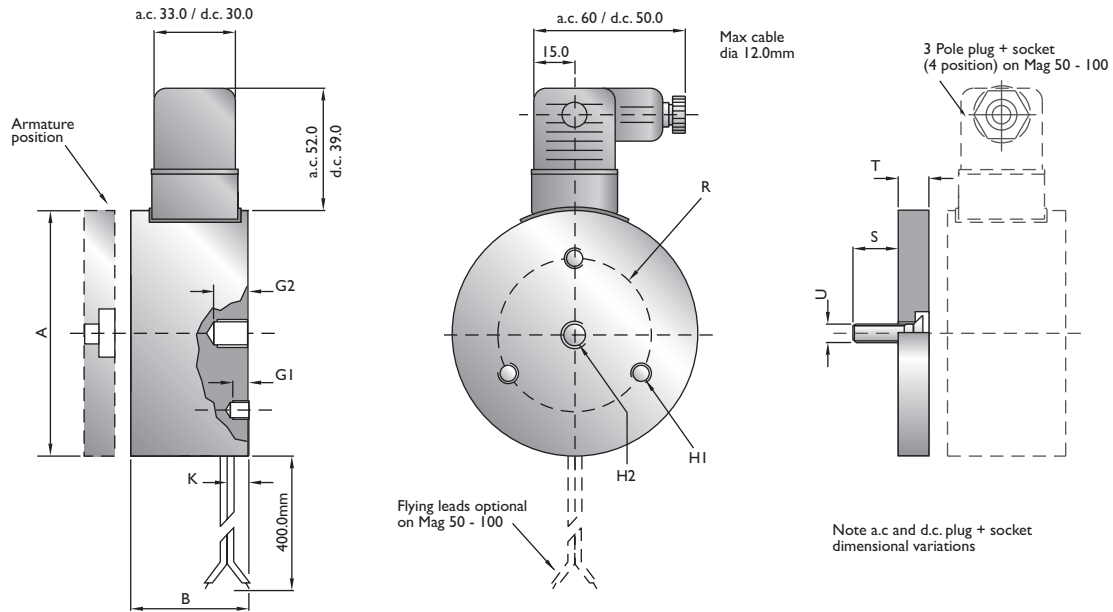
TYPE 58



SG Transmission

SG Transmission, 20 Longfield Road, South Church Enterprise Park, Bishop Auckland, County Durham, UK, DL14 6XB
Tel: +44 (0)1388 770 360 Fax: +44 (0)1388 779 197 sales@sgtransmission.com www.sgtransmission.com

Electromagnetic Clutch & Brake Solutions



Size	Axial force (N)	P20 (W)	Magnet weight (Kg)	Armature weight (Kg)	A	B	G1	G2	H1	H2	K	R	S	T	U	Magnet design No.		Magnet + arm design No.	
																Leads	Plug + Socket	Leads	Plug + Socket
20	90	3.0	0.05	0.01	20	15.0	-	4.0	-	M4	5	-	7	3	M3	0120	-	0320	-
25	140	3.7	0.07	0.01	25	20.5	4	10.0	M3	M5	6.5	15	7	3	M3	0125	-	0325	-
30	230	3.8	0.20	0.04	30	24.0	5	5.0	M3	M5	7	18	8	5	M4	0130	-	0330	-
40	500	4.6	0.23	0.05	40	27.5	5	10.0	M4	M6	9	26	8	5	M4	0140	0240	0340	0440
50	750	5.4	0.40	0.10	50	30.5	5	10.0	M4	M6	8.5	34	10	6	M4	0150	0250	0350	0450
65	1400	9.0	0.75	0.20	65	35.5	6	12.0	M5	M8	8.5	40	12	8	M5	0165	0265	0365	0465
80	2200	14.2	1.25	0.40	80	38.5	5	15.0	M6	M8	10.5	50	14	10	M6	0180	0280	0380	0480
100	3500	20.0	2.20	0.75	100	43.5	8	18.0	M6	M10	12.5	75	20	12	M8	0110	0210	0310	0410

Technical specification

Voltage	12V/24 Vd.c./240 Va.c. (± 10%) or others
Duty cycle	100% ED
Ambient temp.	0-65°C
Protection	IP51
Standard finish	Bright zinc
Insulation	Class B

General information

1. Force is measured with an armature in EN1A (BS230 M07) material with a finish of 0.38µm max. and minimum thickness 'T'.
2. All magnets can be supplied with mounting flanges to suit any particular mounting requirements.
3. Pole faces can be supplied electro-plated, however this will result in approx 10% reduction in axial force.
4. All magnets can be supplied with flying leads, and the size 50 and above can be fitted with a 3-pole plug and free socket.

SIZE NO. DESIGN NO. VOLTAGE SUPPLY

58 - 50 - ELECTROMAGNET- 0350 - 24 - D.C.