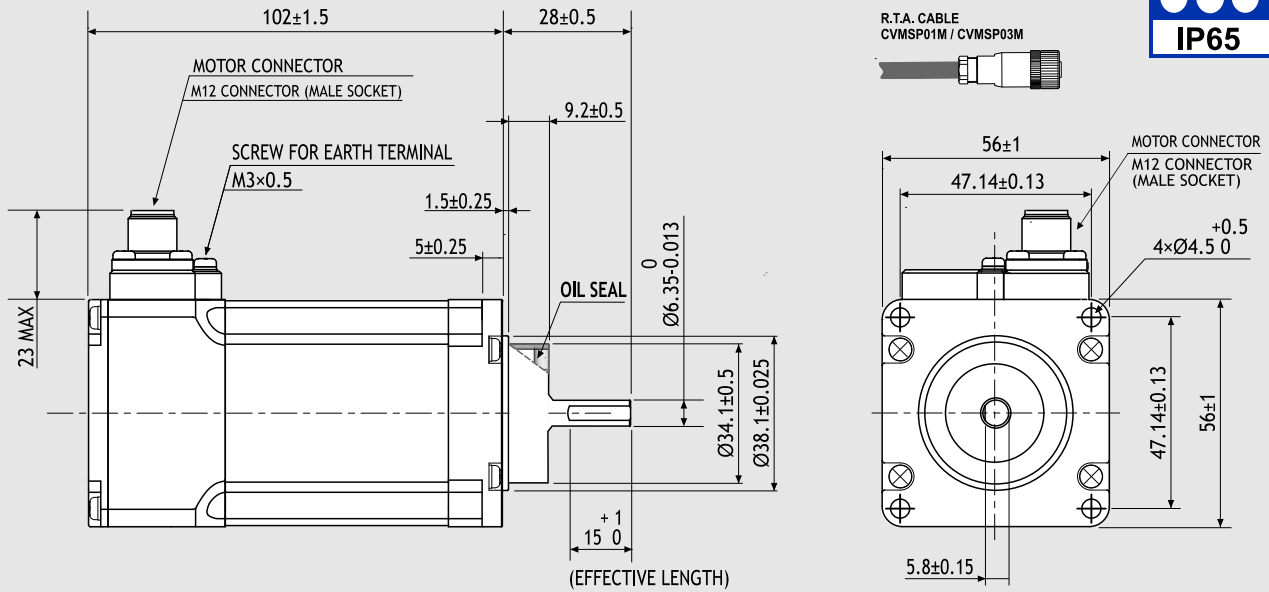


SP2566-52SX00

SANYO DENKI
SANMOTION

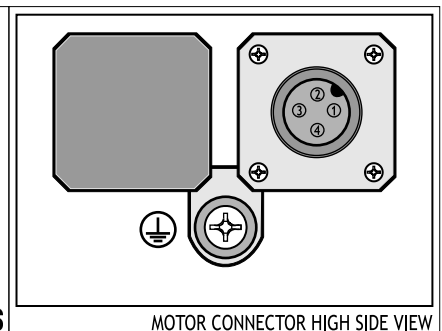
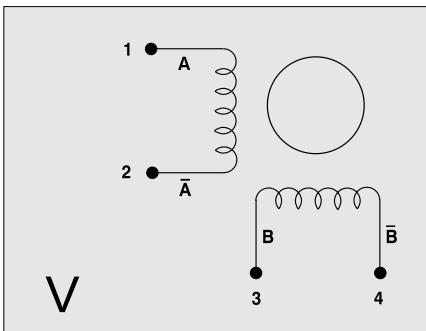
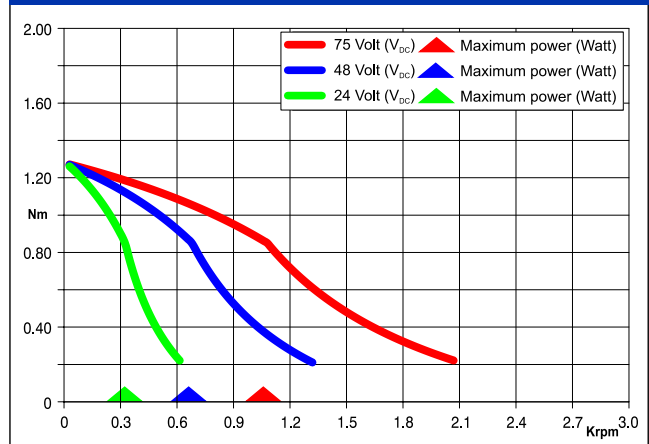
Dimensions (Unit:mm)



FEATURES

MODEL	SP2566-52SX00
BASIC STEP ANGLE	1.8° ± 0.09°
BIPOLAR CURRENT (Amp)	3.0
RESISTANCE (Ohm)	0.94
INDUCTANCE (mH)	4.4
BIPOLAR HOLDING TORQUE (Ncm)	170
ROTOR INERTIA (Kg ^m ² x 10 ⁻⁷)	360
THEORETICAL ACCELERATION (rad x sec. ⁻²)	47200
BACK E.M.F. (V/Krpm)	55
MASS (Kg)	1.2
INTERNATIONAL STANDARDS	UL, CSA, CE, RoHS
INSULATION VOLTAGE (V)	250 V _{AC} (350 V _{DC})
PROTECTION DEGREE - INSULATION CLASS	FULL IP65 - F
LEADS CODE	V

TORQUE/SPEED CURVE



Suggested R.T.A. driver: CSD/CSD J/A-CSD Series, NDC/A-NDC Series, ADW Series, HGD Series.



R.T.A. s.r.l.
Via E. Mattei - Fraz. Divisa
27020 MARCIGNAGO (PV) ITALY
Tel. +39.0382.929.855 - Fax +39.0382.929.150
www.rta.it

R.T.A. Deutschland GmbH
Bublitz Straße 34
40599 DÜSSELDORF (Germany)
Tel. +49.211.749.668.60 - Fax +49.211.749.668.66
www.rta-deutschland.de

R.T.A. IBERICA-Motion Control Systems S.L.
C/Generalitat 22, 1° 3°
08850 GAVA - BARCELONA (Spain)
Tel. +34.936.388.805 - Fax +34.936.334.595
www.rta-iberica.es